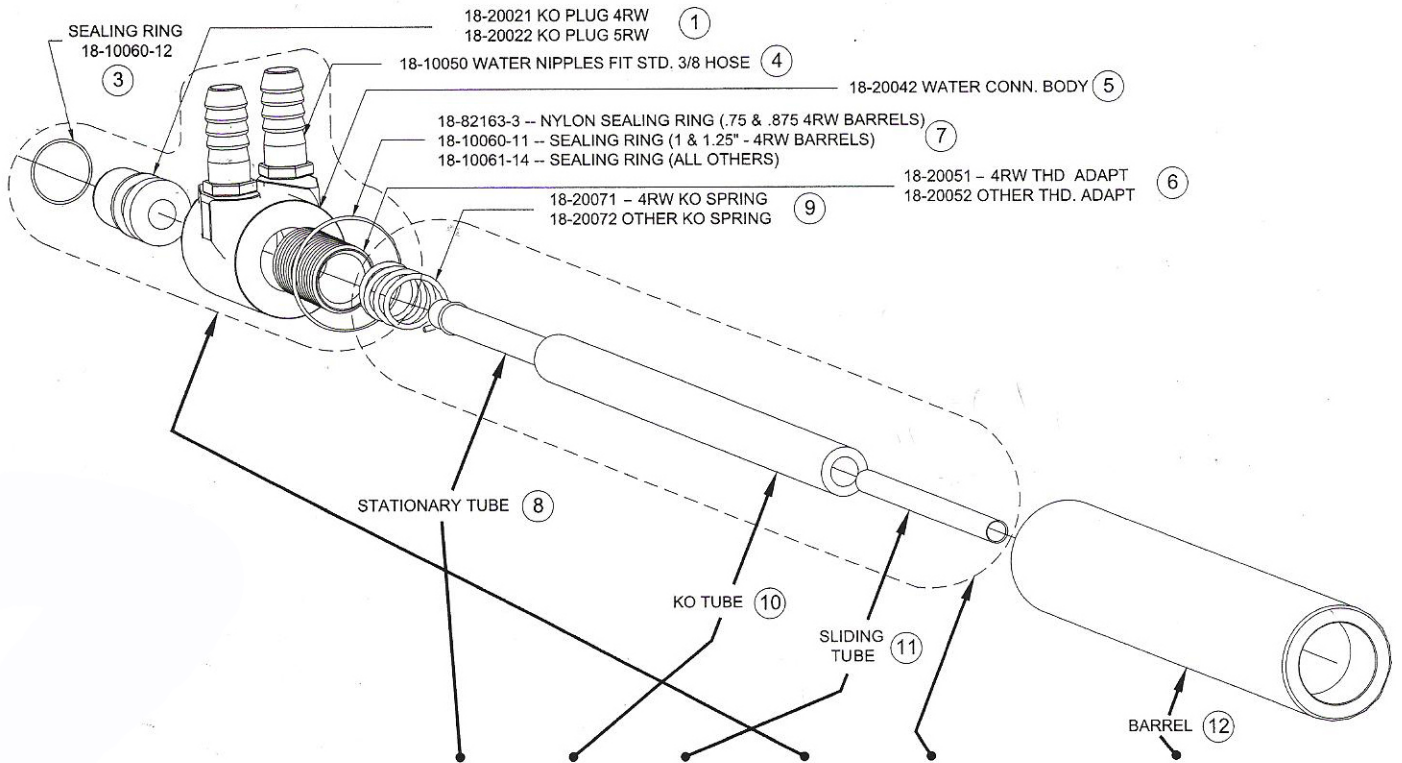


## 200 SERIES (EJECTOR) WATER COOLED ELECTRODE HOLDERS



Part No. Holder Assy.	Thread Or Taper	Barrel Length	Stationary Tube	K.O. Tube	Sliding Tube	Water Conn. HD. Sub-Assy. Include Parts: 1 3 4 5 6 7	K.O. Tube Sub-Assy. Include Parts: 8 9 10 11	Barrel Diameter	Barrel 12
18-201 18-202 18-203 18-204	4 RW	3	18-10044-3	18-20031-3	18-10046-3	18-20091	18-20095-3	3/4 7/8 1 1-1/4	18-11110-3 18-11210-3 18-11310-3 18-11410-3
18-206 18-207 18-208	5 RW	3	18-10045-3	18-20032-3	18-10047-3	18-20092	18-20096-3	1 1-1/4 1-1/2	18-11610-3 18-11710-3 18-11810-3
18-211 18-212 18-213 18-214	4 RW	8	18-10044-8	18-20031-8	18-10046-8	18-20091	18-20095-8	3/4 7/8 1 1-1/4	18-11110-8 18-11210-8 18-11310-8 18-11410-8
18-216 18-217 18-218	5 RW	8	18-10045-8	18-20032-8	18-10047-8	18-20092	18-20096-8	1 1-1/4 1-1/2	18-11610-8 18-11710-8 18-11810-8
18-219* 18-220*	7 RW	8	18-10045-8	18-20032-58 & 18-20033*	18-10047-8	18-20092	18-20096-58	1-1/4 1-1/2	18-11910-8 18-12010-8
18-231 18-232 18-233 18-234	4 RW	12	18-10044-12	18-20031-12	18-10046-8	18-20091	18-20095-12	3/4 7/8 1 1-1/4	18-11110-12 18-11210-12 18-11310-12 18-11410-12
18-236 18-237 18-238	5 RW	12	18-10045-12	18-20032-12	18-10047-8	18-20092	18-20096-12	1 1-1/4 1-1/2	18-11610-12 18-11710-12 18-11810-12
18-236-18 18-237-18 18-238-18	5 RW	18	18-10045-12	18-20032-18	18-10047-29	18-20092	18-20096-18	1 1-1/4 1-1/2	18-11610-18 18-11710-18 18-11810-18
18-272 18-273 18-274	7/8-14	8	18-10045-8	18-20032-8	18-10047-8	18-20092	18-20096-8	1 1-1/4 1-1/2	18-17210-8 18-17310-8 18-17410-8
18-275 18-276	1-14	8	18-10045-8	18-20032-8	18-10047-8	18-20092	18-20096-8	1-1/4 1-1/2	18-17510-8 18-17610-8

\*Must use knockout adapter 18-20033