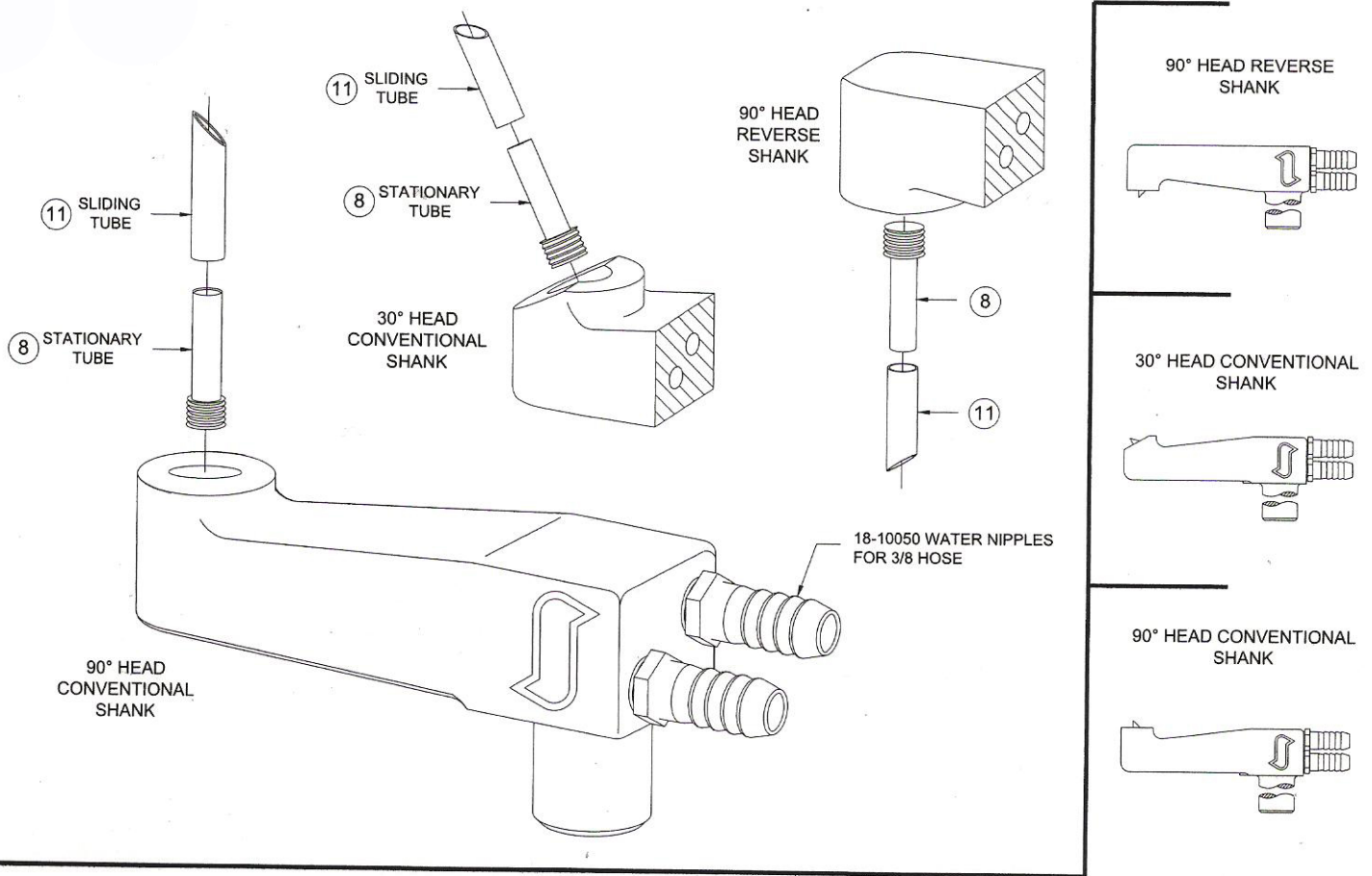


## 400 SERIES OFFSET (NON-EJECTOR) REPLACEMENT PARTS



Part No. Holder Assy.	Taper	Angle Of Head	Stationary Tube 8	Sliding Tube 11	Shank Dia.
18-402 18-403 18-404	4 RW	90°	18-40041-1	18-40043-1	7/8 1 1-1/4
18-407 18-408 18-409	5 RW	90°	18-40041-1	18-40043-2	7/8 1 1-1/4
18-422 18-423 18-424 18-433*	4 RW	90°	18-40041-1	18-40043-1	7/8 1 1-1/4 1
18-428 18-429 18-439*	5 RW	90°	18-40041-1	18-40043-2	1 1-1/4 1-1/4
18-442 18-443 18-444	4 RW	30°	18-40041-1	18-40043-1	7/8 1 1-1/4
18-448 18-449	5 RW	30°	18-40041-1	18-40043-2	1 1-1/4
18-462 18-463 18-464	4 RW	30°	18-40041-1	18-40043-1	7/8 1 1-1/4
18-468 18-469	5 RW	30°	18-40041-1	18-40043-2	1 1-1/4

\* Reverse Shank