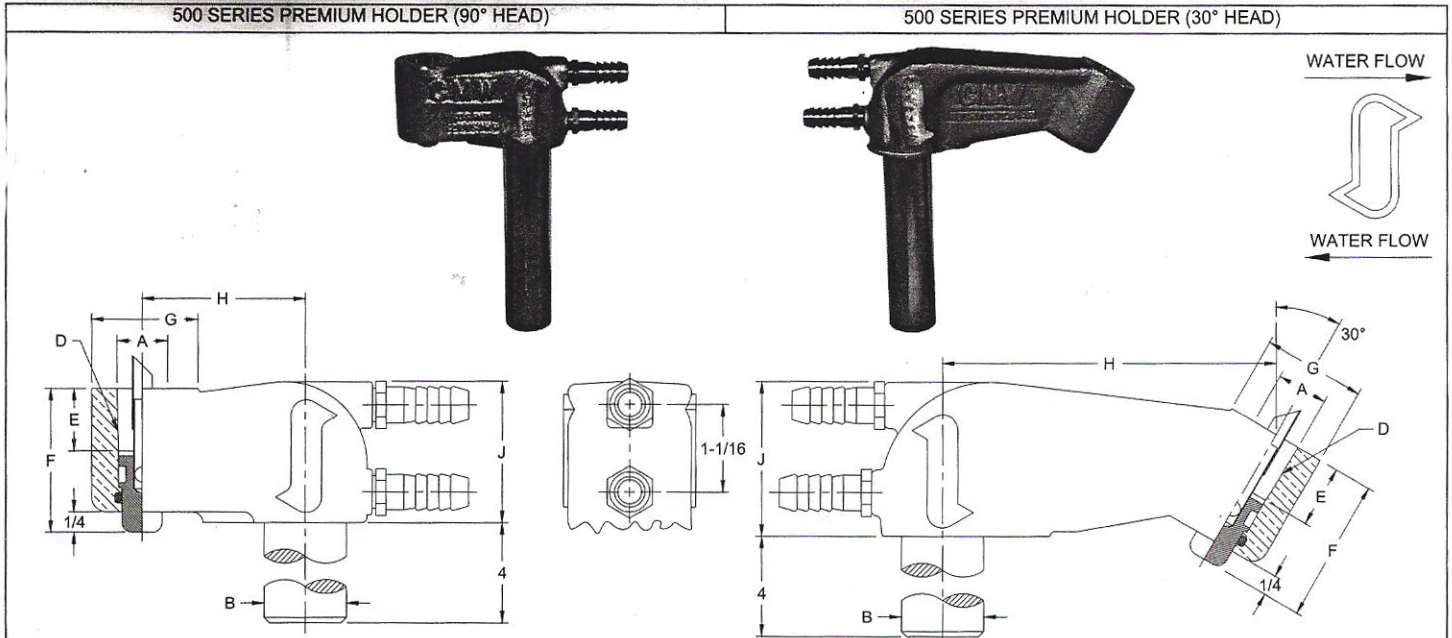


## 500 SERIES PREMIUM (EJECTOR) WATER COOLED OFFSET HOLDERS



500 SERIES PREMIUM HOLDER (90° HEAD)								
Part No. Holder Assy.	Major Taper Dia. A*	Shank Dia. B*	RW Taper D	Engagement With Electrode E	Head Height F	Head Dia. G	Offset H	Head Thickness J
18-502 18-503 18-504	.625	1 1-1/4 1-1/2	5 RW	3/4	1-13/16	1-1/4	2	1-23/32
18-505 18-506	.875	1-1/4 1-1/2	7 RW	1-1/8	2-7/32	1-1/2	2	1-23/32
18-522 18-523 18-524	.625	1 1-1/4 1-1/2	5 RW	3/4	1-13/16	1-1/4	4	1-7/8
18-525 18-526	.875	1-1/4 1-1/2	7 RW	1-1/8	2-7/32	1-1/2	4	1-7/8

500 SERIES PREMIUM HOLDER (30° HEAD)								
Part No. Holder Assy.	Major Taper Dia. A*	Shank Dia. B*	RW Taper D	Engagement With Electrode E	Head Height F	Head Dia. G	Offset H	Head Thickness J
18-562 18-563 18-564	.625	1 1-1/4 1-1/2	5 RW	3/4	1-13/16	1-5/16	4	1-7/8
18-565 18-566	.875	1-1/4 1-1/2	7 RW	1-1/8	2-7/32	1-9/16	4	1-7/8

\*Other shank diameters and lengths or tapers available on special order

\*Other shank diameters and lengths or tapers available on special order

## 500 SERIES PREMIUM (EJECTOR) WATER COOLED ELECTRODE HOLDERS WITH THREADED ADAPTERS

500 SERIES PREMIUM HOLDER WITH THREADED ADAPTERS										
Part No. Holder Assy.	Head Angle	Major Taper Dia. A*	Shank Dia. B*	RW Taper D	Engagement With Electrode E	Head Height F	Head Dia. G	Offset H	Head Thickness J	Part No. Threaded Adapter
18-5035 18-5036	90°	.625 .750	1-1/4	5 RW 6 RW	3/4 7/8	1-13/16 1-15/16	1-1/4	2	1-23/32	18-7875 18-7876
18-5045 18-5046	90°	.625 .750	1-1/2	5 RW 6 RW	3/4 7/8	1-13/16 1-15/16	1-1/4	2	1-23/32	18-7875 18-7876
18-5235 18-5236	90°	.625 .750	1-1/4	5 RW 6 RW	3/4 7/8	1-13/16 1-15/16	1-1/4	4	1-7/8	18-7875 18-7876
18-5245 18-5246	90°	.625 .750	1-1/2	5 RW 6 RW	3/4 7/8	1-13/16 1-15/16	1-1/4	4	1-7/8	18-7875 18-7876
18-5635 18-5636	30°	.625 .750	1-1/4	5 RW 6 RW	3/4 7/8	1-13/16 1-15/16	1-1/4	4	1-7/8	18-7875 18-7876
18-5645 18-5646	30°	.625 .750	1-1/2	5 RW 6 RW	3/4 7/8	1-13/16 1-15/16	1-1/4	4	1-7/8	18-7875 18-7876

\*Other shank diameters and lengths or tapers available on special order

