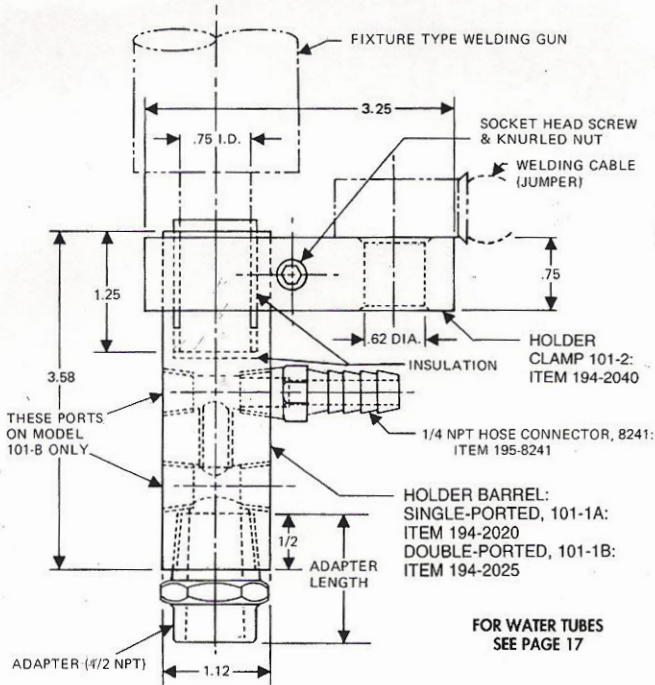


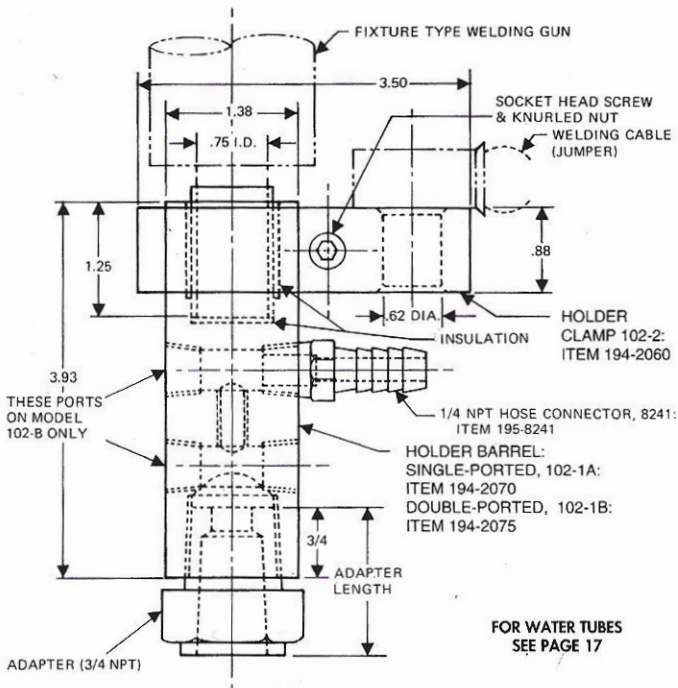
**101 SERIES HOLDERS (For 4 & 5 RW Tips)**



FOR WATER TUBES  
SEE PAGE 17

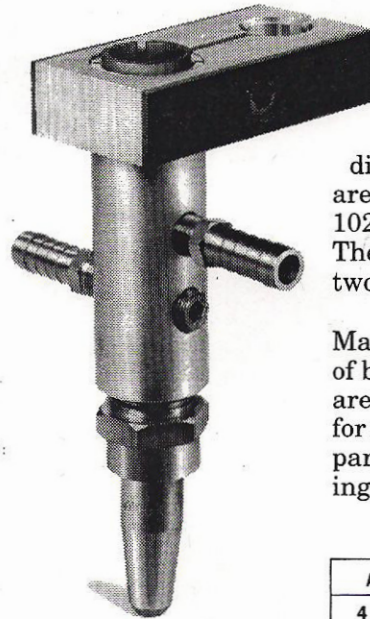
To determine distance adapter sticks out from holder, deduct 1/2" from length of adapter selected. Water tubes 1/2" longer than adapter will install approximately flush with adapter face.

**102 SERIES HOLDERS (For 6 & 7 RW Tips)**



FOR WATER TUBES  
SEE PAGE 17

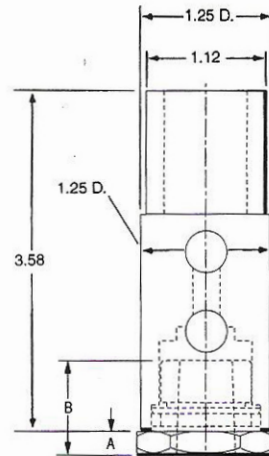
To determine distance adapter sticks out from holder deduct 3/4" from length of adapter selected. Water tubes 3/4" longer than adapter will install approximately flush with adapter face.



**STRAIGHT HOLDERS**

Straight holders are available in two sizes, to carry tips having four different diameters. Series 101 holders are for 4 & 5RW tips, and Series 102 holders are for 6 & 7RW tips. They may be ordered with one or two sets of coolant ports.

Mating electrical contact surfaces of both the barrels and the clamp are silver plated. Item Numbers for replacement barrels and clamp parts are called out on the drawings.



194-2080 Barrel Only  
For 7/8 - 14 NF Adapter  
194-2081 Barrel Only  
Dual w/Con. @ 20° Offset

194-2085 1 3/8 D. Barrel  
Required for 1-12 NF Adapter

A	B	Description	Item No.
<b>4 RW TAPER — 7/8-14 NF</b>			
3/8	1-1/8	AD-134-1.1	190-3211
1/2	1-1/4	AD-134-1.2	190-3212
5/8	1-3/8	AD-134-1.3	190-3213
3/4	1-1/2	AD-134-1.5	190-3215
1	1-3/4	AD-134-1.7	190-3217
1-1/4	2	AD-134-2.0	190-3220
1-1/2	2-1/4	AD-134-2.2	190-3222
1-3/4	2-1/2	AD-134-2.5	190-3225
2-1/4	3	AD-134-3.0	190-3230
2-3/4	3-1/2	AD-134-3.5	190-3250
<b>5 RW TAPER — 7/8-14 NF</b>			
3/8	1-1/8	AD-135-1.1	190-3311
1/2	1-1/4	AD-135-1.2	190-3312
5/8	1-3/8	AD-135-1.3	190-3313
3/4	1-1/2	AD-135-1.5	190-3315
1	1-3/4	AD-135-1.7	190-3317
1-1/4	2	AD-135-2.0	190-3320
1-1/2	2-1/4	AD-135-2.2	190-3322
1-3/4	2-1/2	AD-135-2.5	190-3325
2-1/4	3	AD-135-3.0	190-3330
2-3/4	3-1/2	AD-135-3.5	190-3350
<b>5 RW TAPER — 1-12 NF</b>			
3/8	1-1/8	AD-105-1.1	190-4311
1/2	1-1/4	AD-105-1.2	190-4312
5/8	1-3/8	AD-105-1.3	190-4313
3/4	1-1/2	AD-105-1.5	190-4315
1	1-3/4	AD-105-1.7	190-4317
1-1/4	2	AD-105-2.0	190-4320
<b>5 RW TAPER — 1-12 NF</b>			
1-1/2	2-1/4	AD-105-2.2	190-4322
1-3/4	2-1/2	AD-105-2.5	190-4325
2	2-3/4	AD-105-2.7	190-4327
2-1/4	3	AD-105-3.0	190-4330
2-3/4	3-1/2	AD-105-3.5	190-4335

**CLAMP AND BARREL ARE SEPARATE PARTS**

Adapters, water connectors and water tubes (see page 17) are sold separately.

**HOLDERS**

Holders For Tip Sizes	Number of Coolant Ports					
	One Set Description	Item No.	Two Sets Description	Item No.	Clamp Description	Item No.
4 & 5 RW	101-A	194-2020	101-B	194-2025	101-2	194-2040
6 & 7 RW	102-A	194-2070	102-B	194-2075	102-2	194-2060